

# Protistor® size 30 aR

600 - 690VAC (IEC) / 700VAC (UL)

## SEMICONDUCTOR PROTECTION FUSES

### SQUARE BODY HIGH-SPEED FUSE-LINKS AC PROTECTION



The 690/700V Protistor® fuse-links range provide maximum flexibility in equipment design and ultimate protection for today's power conversion equipment. These aR ultra-fast acting square body fuse-links are available in different body sizes, each size having multiple worldwide acceptable mounting styles.

They have been engineered to provide state-of-the-art protection for semiconductors: diodes, thyristors, IGBT and MOSFET devices. They are assembled with die-cut elements embedded in solidified sand, which helps control arcing characteristics for a lower  $I^2t$  and high interrupting rating level. All contact surfaces are silver plated and all hardware is non-magnetic.

Each fuse-link can be equipped with a low voltage trip-indicator which can operate a field mountable microswitch.

#### TECHNICAL DATA OVERVIEW

Voltage Range AC	600 ... 690 VAC
Ampere Range (A)	50 ... 630 A
Speed/Characteristic	aR
I.R. AC (IEC)	170 kA 200 kA
Product Size	30

#### FEATURES & BENEFITS

- Multiple body sizes and terminals or blades combination
- aR Class according to IEC 60269-4 and VDE 636-23
- Very low  $I^2t$  for improved semiconductor protection
- Ultra fast acting
- Current limiting
- Superior cycling capability

#### APPLICATIONS

- Protection of inverters, motor drives, UPS systems and similar 690V or less equipments.

#### STANDARDS

- IEC 60269-4 Compliance
- UL/CSA Recognized E76491
- CCC GB 13539.4



MERSEN reserves the right to change, update or correct, without notice, any information contained in this datasheet.

# Protistor® size 30 aR

600 - 690VAC (IEC) / 700VAC (UL)

## PRODUCT RANGE



PC30UD69V100TF

### Size 30 type TTF M8 threaded terminals

Catalog number	Item number	Rated voltage AC (IEC)	Rated voltage AC (UL)	Rated current I <sub>n</sub>	Pre-arcing I <sup>2</sup> t	Clearing I <sup>2</sup> t at Rated Voltage	Rated breaking capacity AC	Power dissipation at I <sub>n</sub>	Package	Weight
PC30UD69V50TF	S300373	690 V	700 V	50 A	0.116 kA <sup>2</sup> s	0.68 kA <sup>2</sup> s	200 kA	9 W	3	0.25 kg
PC30UD69V63TF	M3000000	690 V	700 V	63 A	0.2 kA <sup>2</sup> s	1.2 kA <sup>2</sup> s	200 kA	14 W	3	0.25 kg
PC30UD69V80TF	S300051	690 V	700 V	80 A	0.33 kA <sup>2</sup> s	1.9 kA <sup>2</sup> s	200 kA	19 W	3	0.25 kg
PC30UD69V100TF	T300052	690 V	700 V	100 A	0.47 kA <sup>2</sup> s	2.7 kA <sup>2</sup> s	200 kA	26 W	3	0.25 kg
PC30UD69V125TF	V300053	690 V	700 V	125 A	0.85 kA <sup>2</sup> s	4.9 kA <sup>2</sup> s	200 kA	30 W	3	0.27 kg
PC30UD69V160TF	W300054	690 V	700 V	160 A	1.6 kA <sup>2</sup> s	9.2 kA <sup>2</sup> s	200 kA	37 W	3	0.27 kg
PC30UD69V200TF	X300055	690 V	700 V	200 A	3 kA <sup>2</sup> s	16.7 kA <sup>2</sup> s	200 kA	42 W	3	0.27 kg
PC30UD69V250TF	Y300056	690 V	700 V	250 A	5.8 kA <sup>2</sup> s	32.4 kA <sup>2</sup> s	200 kA	48 W	3	0.27 kg
PC30UD69V315TF	Z300057	690 V	700 V	315 A	12 kA <sup>2</sup> s	67 kA <sup>2</sup> s	200 kA	53 W	3	0.25 kg
PC30UD69V350TF	A300058	690 V	700 V	350 A	15.5 kA <sup>2</sup> s	86 kA <sup>2</sup> s	200 kA	57 W	3	0.25 kg
PC30UD69V400TF	B300059	690 V	700 V	400 A	23 kA <sup>2</sup> s	130 kA <sup>2</sup> s	200 kA	60 W	3	0.27 kg
PC30UD69V450TF	V300398	690 V	700 V	450 A	26 kA <sup>2</sup> s	165 kA <sup>2</sup> s	200 kA	80 W	3	0.27 kg
PC30UD69V500TF	W300399	690 V	700 V	500 A	41 kA <sup>2</sup> s	264 kA <sup>2</sup> s	200 kA	80 W	3	0.25 kg
PC30UD69V550TF	X300400	690 V	700 V	550 A	52 kA <sup>2</sup> s	330 kA <sup>2</sup> s	200 kA	80 W	3	0.25 kg
PC30UD60V630TF	L301770	600 V	650 V	630 A	84 kA <sup>2</sup> s	450 kA <sup>2</sup> s	200 kA	85 W	3	0.25 kg

### Size 30 type TTI 5/16"-18 unified coarse threaded terminals

Catalog number	Item number	Rated voltage AC (IEC)	Rated voltage AC (UL)	Rated current I <sub>n</sub>	Pre-arcing I <sup>2</sup> t	Clearing I <sup>2</sup> t at Rated Voltage	Rated breaking capacity AC	Power dissipation at I <sub>n</sub>	Package	Weight
A070UD30TTI150	V302744	690 V	700 V	50 A	0.116 kA <sup>2</sup> s	0.68 kA <sup>2</sup> s	200 kA	9 W	3	0.26 kg
A070UD30TTI163	A301967	690 V	700 V	63 A	0.2 kA <sup>2</sup> s	1.2 kA <sup>2</sup> s	200 kA	14 W	3	0.26 kg
A070UD30TTI180	V301962	690 V	700 V	80 A	0.33 kA <sup>2</sup> s	1.9 kA <sup>2</sup> s	200 kA	19 W	3	0.26 kg
A070UD30TTI100	W300744	690 V	700 V	100 A	0.47 kA <sup>2</sup> s	2.7 kA <sup>2</sup> s	200 kA	26 W	3	0.26 kg
A070UD30TTI125	G300708	690 V	700 V	125 A	0.85 kA <sup>2</sup> s	4.9 kA <sup>2</sup> s	200 kA	30 W	3	0.26 kg
A070UD30TTI160	N300576	690 V	700 V	160 A	1.6 kA <sup>2</sup> s	9.2 kA <sup>2</sup> s	200 kA	37 W	3	0.26 kg
A070UD30TTI200	P300577	690 V	700 V	200 A	3 kA <sup>2</sup> s	16.7 kA <sup>2</sup> s	200 kA	42 W	3	0.26 kg
A070UD30TTI250	Q300578	690 V	700 V	250 A	5.8 kA <sup>2</sup> s	32.4 kA <sup>2</sup> s	200 kA	48 W	3	0.26 kg
A070UD30TTI315	R300579	690 V	700 V	315 A	12 kA <sup>2</sup> s	67 kA <sup>2</sup> s	200 kA	53 W	3	0.26 kg
A070UD30TTI350	S300580	690 V	700 V	350 A	15.5 kA <sup>2</sup> s	86 kA <sup>2</sup> s	200 kA	57 W	3	0.26 kg
A070UD30TTI400	T300581	690 V	700 V	400 A	23 kA <sup>2</sup> s	130 kA <sup>2</sup> s	200 kA	60 W	3	0.26 kg
A070UD30TTI450	V300582	690 V	700 V	450 A	26 kA <sup>2</sup> s	165 kA <sup>2</sup> s	200 kA	80 W	3	0.26 kg
A070UD30TTI500	W300583	690 V	700 V	500 A	41 kA <sup>2</sup> s	264 kA <sup>2</sup> s	200 kA	80 W	3	0.26 kg
A070UD30TTI550	X300584	690 V	700 V	550 A	52 kA <sup>2</sup> s	330 kA <sup>2</sup> s	200 kA	80 W	3	0.26 kg
A065UD30TTI630	A302703	600 V	650 V	630 A	84 kA <sup>2</sup> s	450 kA <sup>2</sup> s	200 kA	85 W	3	0.26 kg

MERSEN reserves the right to change, update or correct, without notice, any information contained in this datasheet.

# Protistor® size 30 aR

600 - 690VAC (IEC) / 700VAC (UL)

## PRODUCT RANGE



PC30UD69V160A

### Size 30 type DIN80 blades

Catalog number	Item number	Rated voltage AC (IEC)	Rated voltage AC (UL)	Rated current I <sub>n</sub>	Pre-arcing I <sup>2</sup> t	Clearing I <sup>2</sup> t at Rated Voltage	Rated breaking capacity AC	Power dissipation at I <sub>n</sub>	Package	Weight
PC30UD69V50A	F301926	690 V	700 V	50 A	0.116 kA <sup>2</sup> s	0.68 kA <sup>2</sup> s	200 kA	9 W	3	0.27 kg
PC30UD69V63A	E300108	690 V	700 V	63 A	0.2 kA <sup>2</sup> s	1.2 kA <sup>2</sup> s	200 kA	14 W	3	0.27 kg
PC30UD69V80A	F300109	690 V	700 V	80 A	0.33 kA <sup>2</sup> s	1.9 kA <sup>2</sup> s	200 kA	19 W	3	0.27 kg
PC30UD69V100A	G300110	690 V	700 V	100 A	0.47 kA <sup>2</sup> s	2.7 kA <sup>2</sup> s	200 kA	26 W	3	0.27 kg
PC30UD69V125A	H300111	690 V	700 V	125 A	0.85 kA <sup>2</sup> s	4.9 kA <sup>2</sup> s	200 kA	30 W	3	0.27 kg
PC30UD69V160A	J300112	690 V	700 V	160 A	1.6 kA <sup>2</sup> s	9.2 kA <sup>2</sup> s	200 kA	37 W	3	0.27 kg
PC30UD69V200A	K300113	690 V	700 V	200 A	3 kA <sup>2</sup> s	16.7 kA <sup>2</sup> s	200 kA	43 W	3	0.27 kg
PC30UD69V250A	L300114	690 V	700 V	250 A	5.8 kA <sup>2</sup> s	32.4 kA <sup>2</sup> s	200 kA	50 W	3	0.27 kg
PC30UD69V315A	M300115	690 V	700 V	315 A	12 kA <sup>2</sup> s	67 kA <sup>2</sup> s	200 kA	55 W	3	0.27 kg
PC30UD69V350A	N300116	690 V	700 V	350 A	15.5 kA <sup>2</sup> s	86 kA <sup>2</sup> s	200 kA	60 W	3	0.27 kg
PC30UD69V400A	P300117	690 V	700 V	400 A	23 kA <sup>2</sup> s	130 kA <sup>2</sup> s	200 kA	65 W	3	0.27 kg
PC30UD69V450A	A300403	690 V	700 V	450 A	26 kA <sup>2</sup> s	165 kA <sup>2</sup> s	200 kA	88 W	3	0.27 kg
PC30UD69V500A	B300404	690 V	700 V	500 A	41 kA <sup>2</sup> s	264 kA <sup>2</sup> s	200 kA	88 W	3	0.27 kg
PC30UD69V550A	C300405	690 V	700 V	550 A	52 kA <sup>2</sup> s	330 kA <sup>2</sup> s	200 kA	90 W	3	0.27 kg



PC30UD69V450D1A

### Size 30 type DIN110 blades

Catalog number	Item number	Rated voltage AC (IEC)	Rated voltage AC (UL)	Rated current I <sub>n</sub>	Pre-arcing I <sup>2</sup> t	Clearing I <sup>2</sup> t at Rated Voltage	Rated breaking capacity AC	Power dissipation at I <sub>n</sub>	Package	Weight
PC30UD69V50D1A	G301191	690 V	700 V	50 A	0.116 kA <sup>2</sup> s	0.68 kA <sup>2</sup> s	200 kA	9 W	3	0.30 kg
PC30UD69V63D1A	Q300118	690 V	700 V	63 A	0.2 kA <sup>2</sup> s	1.2 kA <sup>2</sup> s	200 kA	14 W	3	0.30 kg
PC30UD69V80D1A	R300119	690 V	700 V	80 A	0.33 kA <sup>2</sup> s	1.9 kA <sup>2</sup> s	200 kA	19 W	3	0.30 kg
PC30UD69V100D1A	S300120	690 V	700 V	100 A	0.47 kA <sup>2</sup> s	2.7 kA <sup>2</sup> s	200 kA	26 W	3	0.30 kg
PC30UD69V125D1A	T300121	690 V	700 V	125 A	0.85 kA <sup>2</sup> s	4.9 kA <sup>2</sup> s	200 kA	30 W	3	0.30 kg
PC30UD69V160D1A	V300122	690 V	700 V	160 A	1.6 kA <sup>2</sup> s	9.2 kA <sup>2</sup> s	200 kA	37 W	3	0.30 kg
PC30UD69V200D1A	W300123	690 V	700 V	200 A	3 kA <sup>2</sup> s	16.7 kA <sup>2</sup> s	200 kA	43 W	3	0.30 kg
PC30UD69V250D1A	X300124	690 V	700 V	250 A	5.8 kA <sup>2</sup> s	32.4 kA <sup>2</sup> s	200 kA	50 W	3	0.30 kg
PC30UD69V315D1A	Y300125	690 V	700 V	315 A	12 kA <sup>2</sup> s	67 kA <sup>2</sup> s	200 kA	55 W	3	0.30 kg
PC30UD69V350D1A	Z300126	690 V	700 V	350 A	15.5 kA <sup>2</sup> s	86 kA <sup>2</sup> s	200 kA	60 W	3	0.30 kg
PC30UD69V400D1A	A300127	690 V	700 V	400 A	23 kA <sup>2</sup> s	130 kA <sup>2</sup> s	200 kA	65 W	3	0.30 kg
PC30UD69V450D1A	S300695	690 V	700 V	450 A	26 kA <sup>2</sup> s	165 kA <sup>2</sup> s	200 kA	88 W	3	0.30 kg
PC30UD69V500D1A	Y301091	690 V	700 V	500 A	41 kA <sup>2</sup> s	264 kA <sup>2</sup> s	200 kA	88 W	3	0.30 kg
PC30UD69V550D1A	Z301092	690 V	700 V	550 A	52 kA <sup>2</sup> s	330 kA <sup>2</sup> s	200 kA	90 W	3	0.30 kg

# Protistor® size 30 aR

600 - 690VAC (IEC) / 700VAC (UL)

## PRODUCT RANGE

### Size 30 type KI short slotted blades

Catalog number	Item number	Rated voltage AC (IEC)	Rated voltage AC (UL)	Rated current I <sub>n</sub>	Pre-arcing I <sup>2</sup> t	Clearing I <sup>2</sup> t at Rated Voltage	Rated breaking capacity AC	Power dissipation at I <sub>n</sub>	Package	Weight
A070UD30KI50	E301925	690 V	700 V	50 A	0.116 kA <sup>2</sup> s	0.68 kA <sup>2</sup> s	200 kA	9 W	3	0.29 kg
A070UD30KI63	B300128	690 V	700 V	63 A	0.2 kA <sup>2</sup> s	1.2 kA <sup>2</sup> s	200 kA	14 W	3	0.29 kg
A070UD30KI80	C300129	690 V	700 V	80 A	0.33 kA <sup>2</sup> s	1.9 kA <sup>2</sup> s	200 kA	19 W	3	0.29 kg
A070UD30KI100	D300130	690 V	700 V	100 A	0.47 kA <sup>2</sup> s	2.7 kA <sup>2</sup> s	200 kA	26 W	3	0.29 kg
A070UD30KI125	E300131	690 V	700 V	125 A	0.85 kA <sup>2</sup> s	4.9 kA <sup>2</sup> s	200 kA	30 W	3	0.29 kg
A070UD30KI160	F300132	690 V	700 V	160 A	1.6 kA <sup>2</sup> s	9.2 kA <sup>2</sup> s	200 kA	37 W	3	0.29 kg
A070UD30KI200	G300133	690 V	700 V	200 A	3 kA <sup>2</sup> s	16.7 kA <sup>2</sup> s	200 kA	43 W	3	0.29 kg
A070UD30KI250	H300134	690 V	700 V	250 A	5.8 kA <sup>2</sup> s	32.4 kA <sup>2</sup> s	200 kA	50 W	3	0.29 kg
A070UD30KI315	J300135	690 V	700 V	315 A	12 kA <sup>2</sup> s	67 kA <sup>2</sup> s	200 kA	55 W	3	0.29 kg
A070UD30KI350	K300136	690 V	700 V	350 A	15.5 kA <sup>2</sup> s	86 kA <sup>2</sup> s	200 kA	60 W	3	0.29 kg
A070UD30KI400	L300137	690 V	700 V	400 A	23 kA <sup>2</sup> s	130 kA <sup>2</sup> s	200 kA	65 W	3	0.29 kg
A070UD30KI450	T301064	690 V	700 V	450 A	26 kA <sup>2</sup> s	165 kA <sup>2</sup> s	200 kA	88 W	3	0.29 kg
A070UD30KI500	V301065	690 V	700 V	500 A	41 kA <sup>2</sup> s	264 kA <sup>2</sup> s	200 kA	88 W	3	0.29 kg
A070UD30KI550	W301066	690 V	700 V	550 A	52 kA <sup>2</sup> s	330 kA <sup>2</sup> s	200 kA	90 W	3	0.29 kg

### Size 30 type LI long slotted blades

Catalog number	Item number	Rated voltage AC (IEC)	Rated voltage AC (UL)	Rated current I <sub>n</sub>	Pre-arcing I <sup>2</sup> t	Clearing I <sup>2</sup> t at Rated Voltage	Rated breaking capacity AC	Power dissipation at I <sub>n</sub>	Package	Weight
A070UD30LI50	A301921	690 V	700 V	50 A	0.116 kA <sup>2</sup> s	0.68 kA <sup>2</sup> s	200 kA	9 W	3	0.32 kg
A070UD30LI63	M300138	690 V	700 V	63 A	0.2 kA <sup>2</sup> s	1.2 kA <sup>2</sup> s	200 kA	14 W	3	0.32 kg
A070UD30LI80	N300139	690 V	700 V	80 A	0.33 kA <sup>2</sup> s	1.9 kA <sup>2</sup> s	200 kA	19 W	3	0.32 kg
A070UD30LI100	P300140	690 V	700 V	100 A	0.47 kA <sup>2</sup> s	2.7 kA <sup>2</sup> s	200 kA	26 W	3	0.32 kg
A070UD30LI125	Q300141	690 V	700 V	125 A	0.85 kA <sup>2</sup> s	4.9 kA <sup>2</sup> s	200 kA	30 W	3	0.32 kg
A070UD30LI160	R300142	690 V	700 V	160 A	1.6 kA <sup>2</sup> s	9.2 kA <sup>2</sup> s	200 kA	37 W	3	0.32 kg
A070UD30LI200	S300143	690 V	700 V	200 A	3 kA <sup>2</sup> s	16.7 kA <sup>2</sup> s	200 kA	43 W	3	0.32 kg
A070UD30LI250	T300144	690 V	700 V	250 A	5.8 kA <sup>2</sup> s	32.4 kA <sup>2</sup> s	200 kA	50 W	3	0.32 kg
A070UD30LI315	V300145	690 V	700 V	315 A	12 kA <sup>2</sup> s	67 kA <sup>2</sup> s	200 kA	55 W	3	0.32 kg
A070UD30LI350	W300146	690 V	700 V	350 A	15.5 kA <sup>2</sup> s	86 kA <sup>2</sup> s	200 kA	60 W	3	0.32 kg
A070UD30LI400	X300147	690 V	700 V	400 A	23 kA <sup>2</sup> s	130 kA <sup>2</sup> s	200 kA	65 W	3	0.32 kg
A070UD30LI450	K300527	690 V	700 V	450 A	26 kA <sup>2</sup> s	165 kA <sup>2</sup> s	200 kA	88 W	3	0.32 kg
A070UD30LI500	L300528	690 V	700 V	500 A	41 kA <sup>2</sup> s	264 kA <sup>2</sup> s	200 kA	88 W	3	0.32 kg
A070UD30LI550	M300529	690 V	700 V	550 A	52 kA <sup>2</sup> s	330 kA <sup>2</sup> s	200 kA	90 W	3	0.32 kg

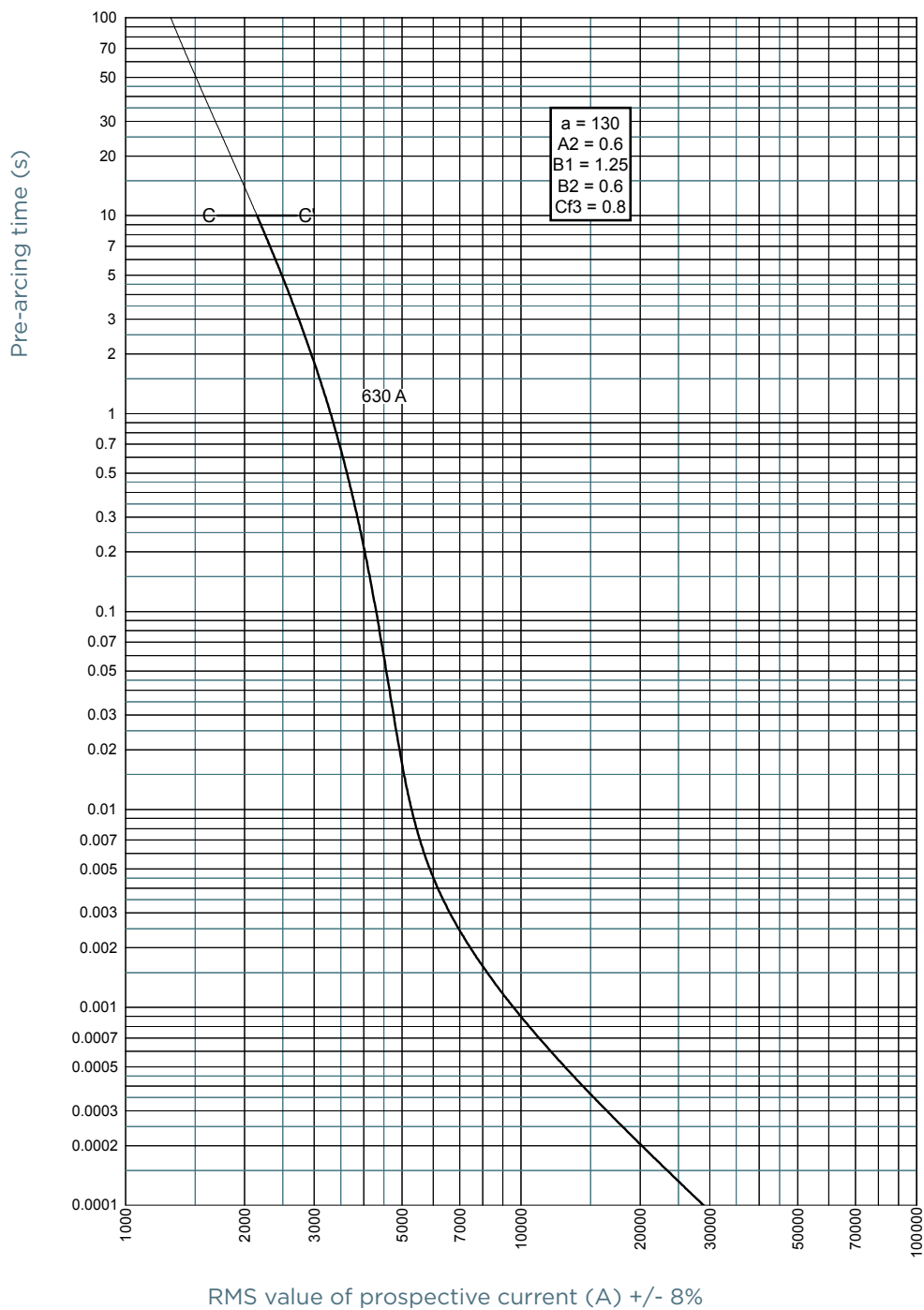
### Size 30 type EF blades for bolted connections

Catalog number	Item number	Rated voltage AC (IEC)	Rated voltage AC (UL)	Rated current I <sub>n</sub>	Pre-arcing I <sup>2</sup> t	Clearing I <sup>2</sup> t at Rated Voltage	Rated breaking capacity AC	Power dissipation at I <sub>n</sub>	Package	Weight
PC30UD69V50EF	R300372	690 V	700 V	50 A	0.116 kA <sup>2</sup> s	0.68 kA <sup>2</sup> s	200 kA	9 W	3	0.27 kg
PC30UD69V63EF	H300088	690 V	700 V	63 A	0.2 kA <sup>2</sup> s	1.2 kA <sup>2</sup> s	200 kA	14 W	3	0.27 kg
PC30UD69V80EF	J300089	690 V	700 V	80 A	0.33 kA <sup>2</sup> s	1.9 kA <sup>2</sup> s	200 kA	19 W	3	0.27 kg
PC30UD69V100EF	K300090	690 V	700 V	100 A	0.47 kA <sup>2</sup> s	2.7 kA <sup>2</sup> s	200 kA	26 W	3	0.27 kg
PC30UD69V125EF	L300091	690 V	700 V	125 A	0.85 kA <sup>2</sup> s	4.9 kA <sup>2</sup> s	200 kA	30 W	3	0.27 kg
PC30UD69V160EF	M300092	690 V	700 V	160 A	1.6 kA <sup>2</sup> s	9.2 kA <sup>2</sup> s	200 kA	37 W	3	0.27 kg
PC30UD69V200EF	N300093	690 V	700 V	200 A	3 kA <sup>2</sup> s	16.7 kA <sup>2</sup> s	200 kA	43 W	3	0.27 kg
PC30UD69V250EF	P300094	690 V	700 V	250 A	5.8 kA <sup>2</sup> s	32.4 kA <sup>2</sup> s	200 kA	50 W	3	0.27 kg
PC30UD69V315EF	Q300095	690 V	700 V	315 A	12 kA <sup>2</sup> s	67 kA <sup>2</sup> s	200 kA	55 W	3	0.27 kg
PC30UD69V350EF	R300096	690 V	700 V	350 A	15.5 kA <sup>2</sup> s	86 kA <sup>2</sup> s	200 kA	60 W	3	0.27 kg
PC30UD69V400EF	S300097	690 V	700 V	400 A	23 kA <sup>2</sup> s	130 kA <sup>2</sup> s	200 kA	65 W	3	0.27 kg

MERSEN reserves the right to change, update or correct, without notice, any information contained in this datasheet.

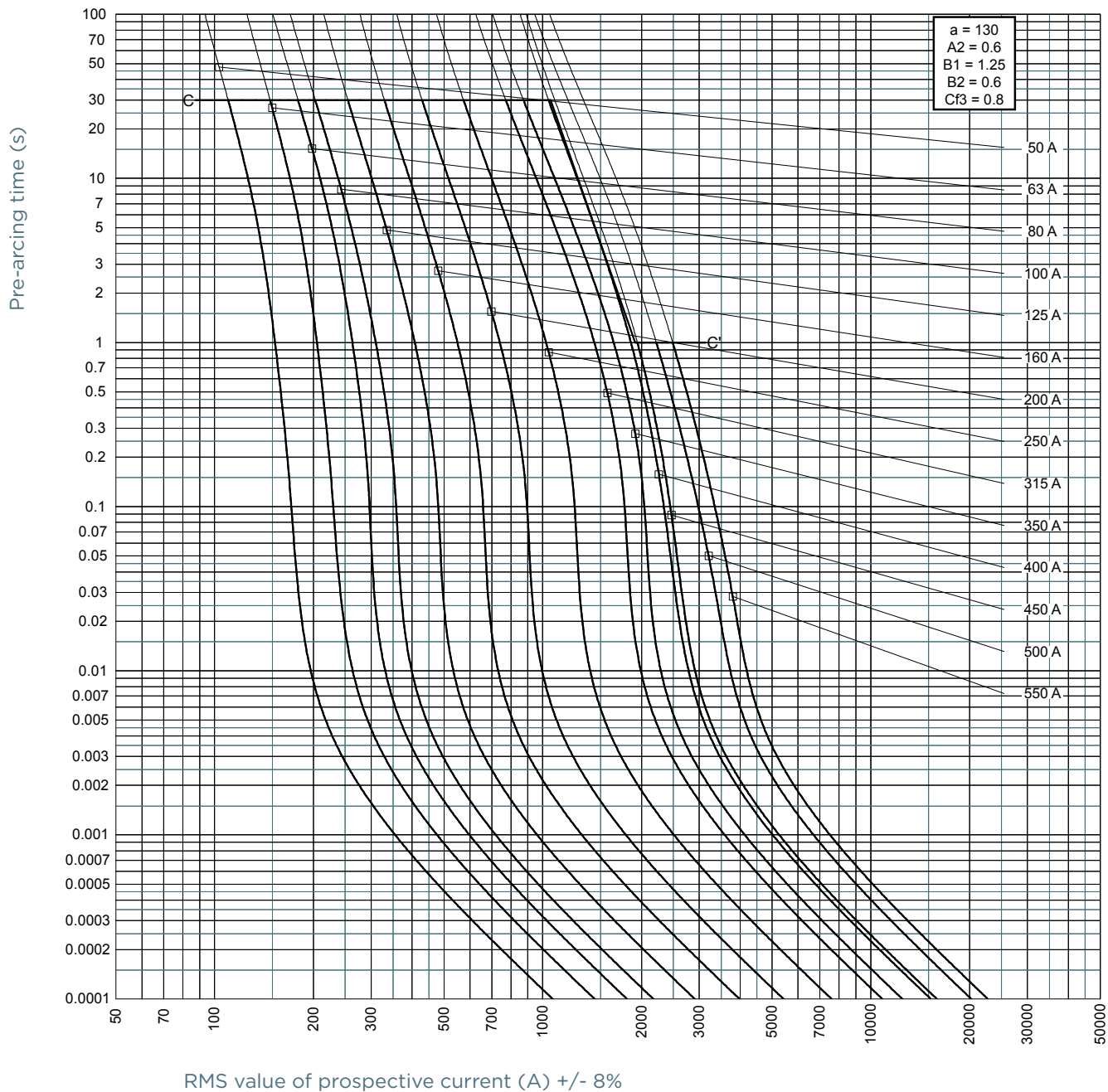
## TIME CURRENT CHARACTERISTIC CURVES

### Size 30 600V



## TIME CURRENT CHARACTERISTIC CURVES

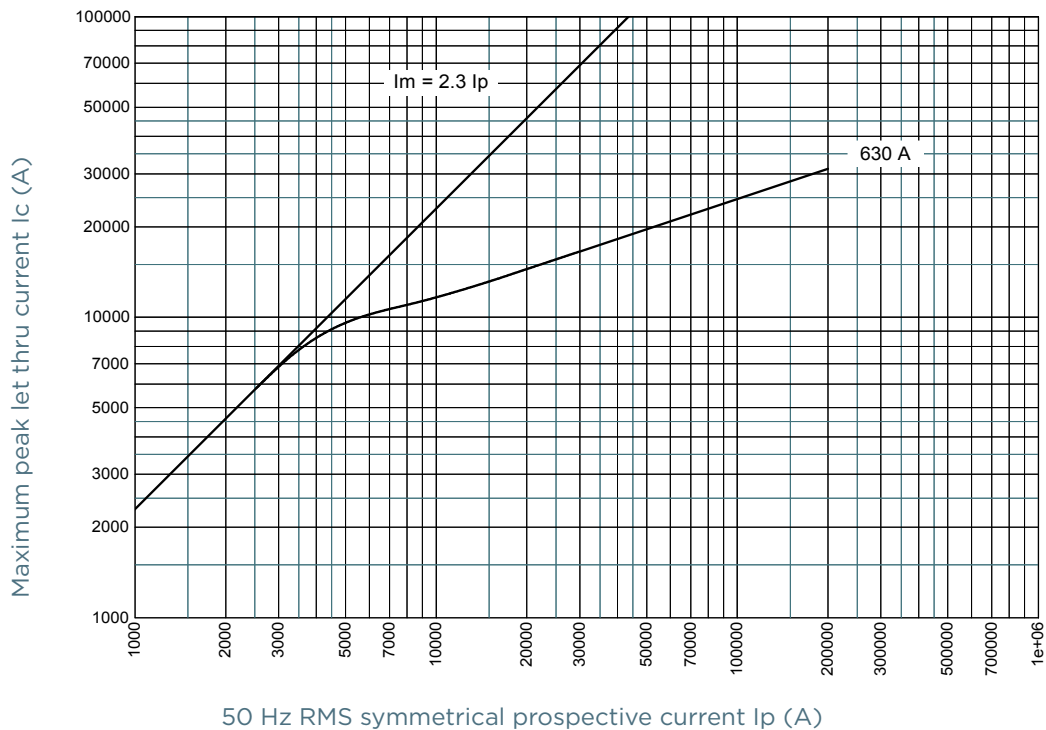
### Size 30 690V



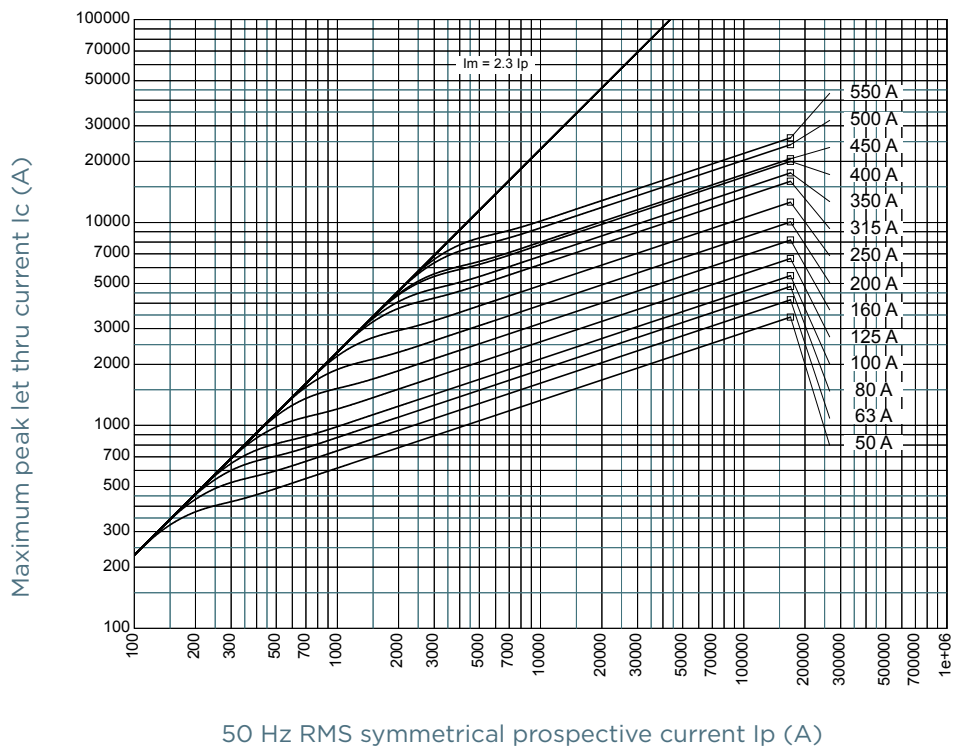
MERSEN reserves the right to change, update or correct, without notice, any information contained in this datasheet.

## CUT-OFF CURRENT CHARACTERISTIC

### Size 30 600V

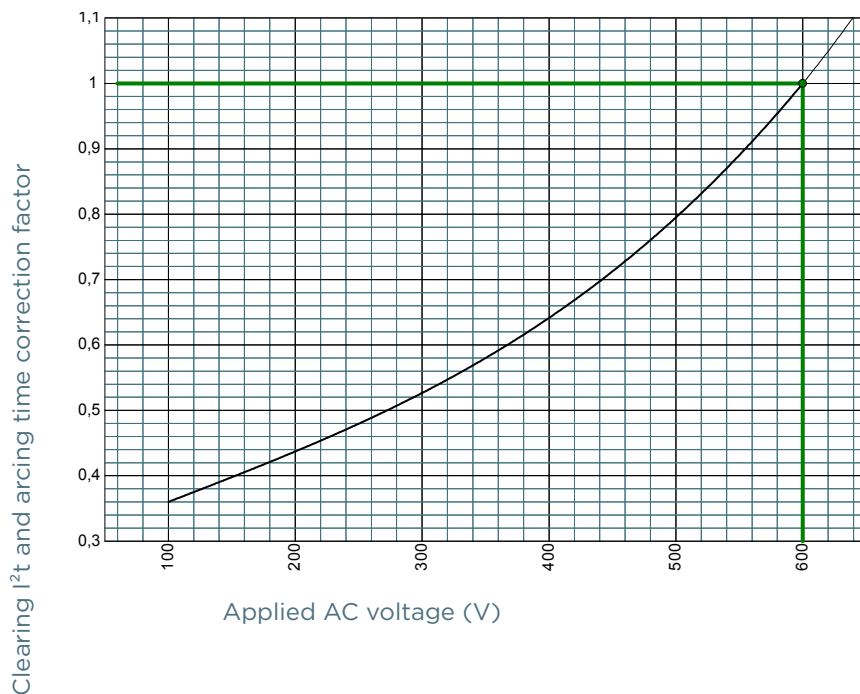


### Size 30 690V

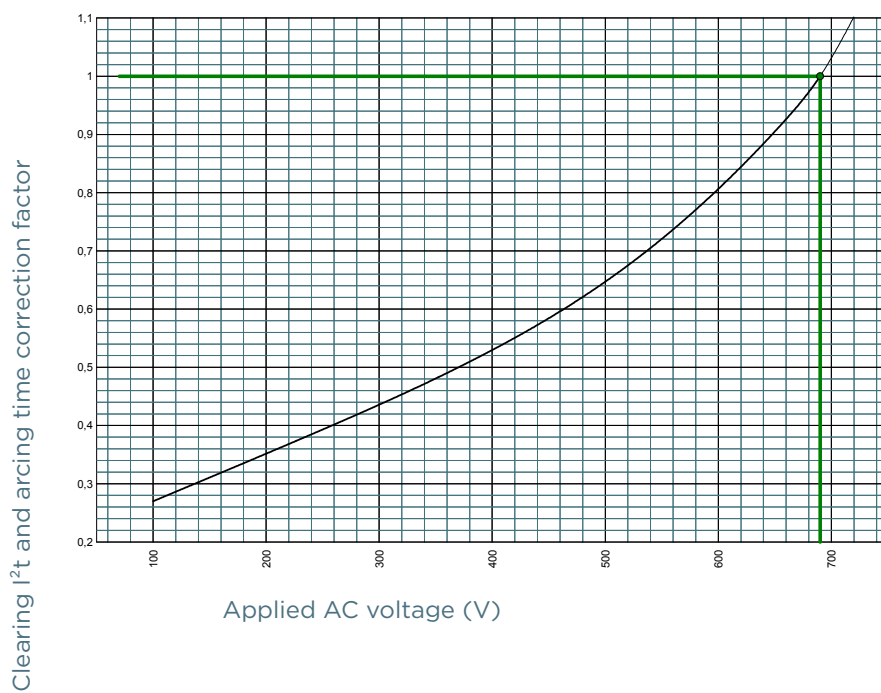


## I<sup>2</sup>T MULTIPLIER COEFFICIENT

### Size 30 600V



### Size 30 690V



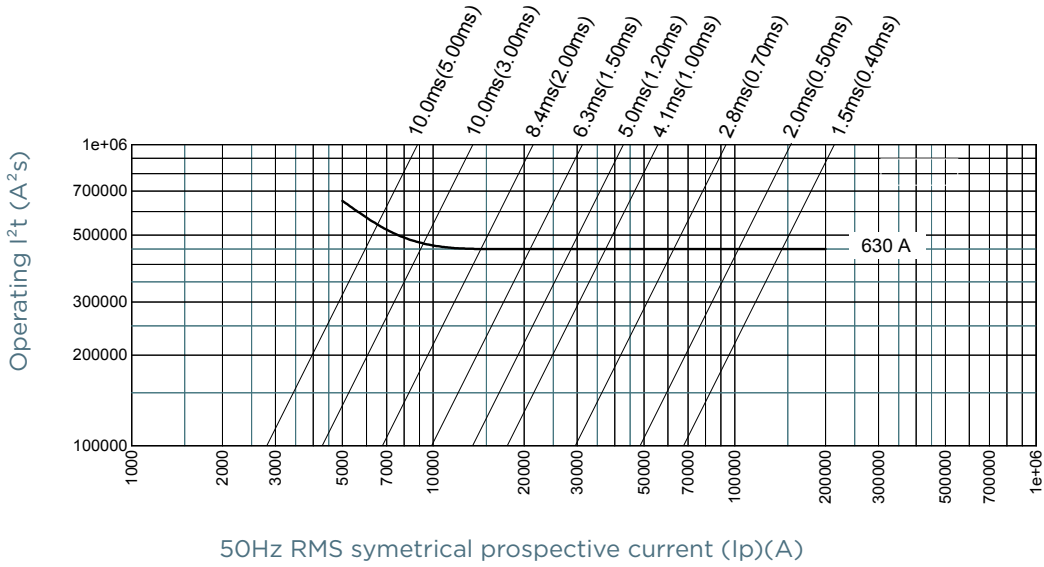


# Protistor® size 30 aR

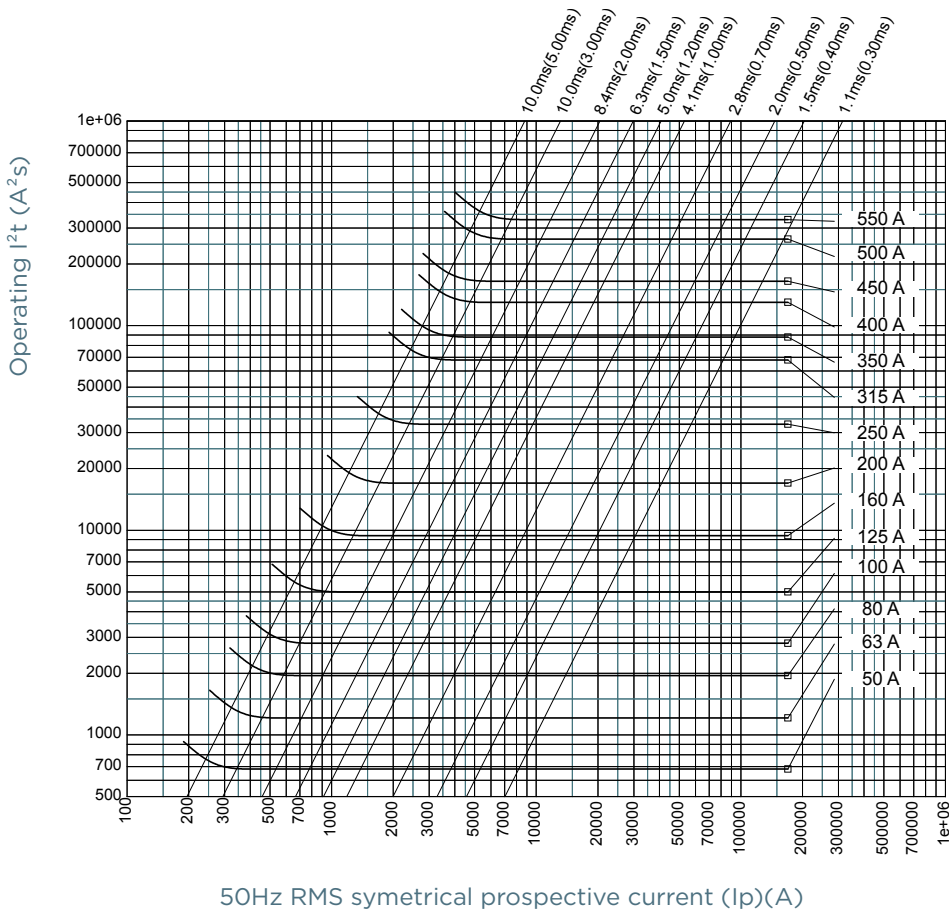
600 - 690VAC (IEC) / 700VAC (UL)

## CHARACTERISTICS TOTAL I<sup>2</sup>T CURVE

### Size 30 600V



### Size 30 690V



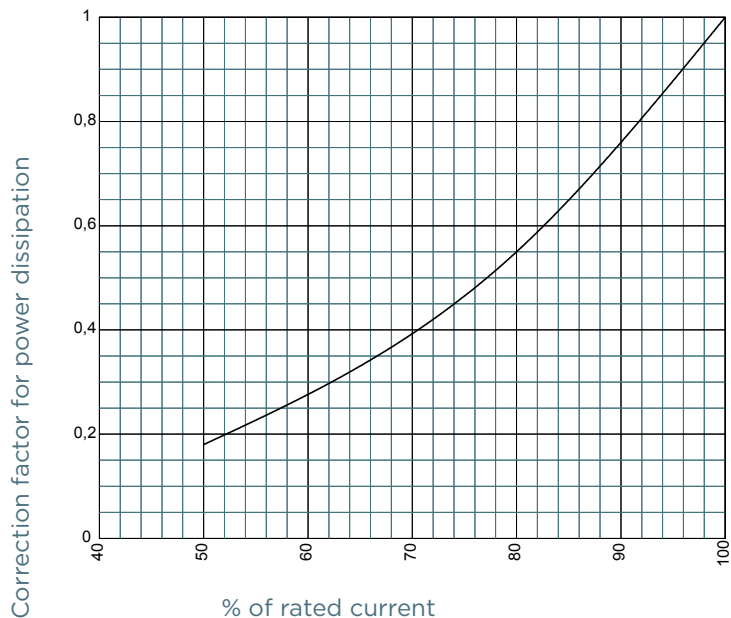
MERSEN reserves the right to change, update or correct, without notice, any information contained in this datasheet.

# Protistor® size 30 aR

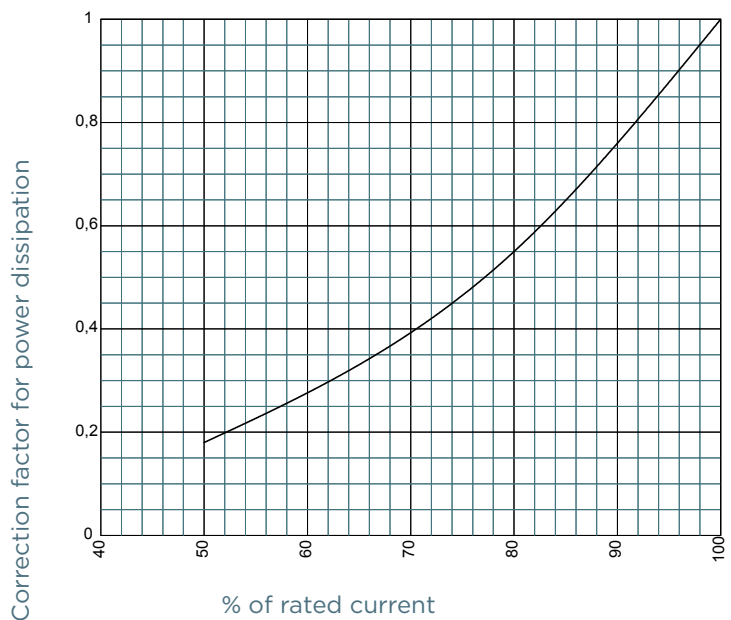
600 - 690VAC (IEC) / 700VAC (UL)

## POWER DISSIPATION

### Size 30 600V



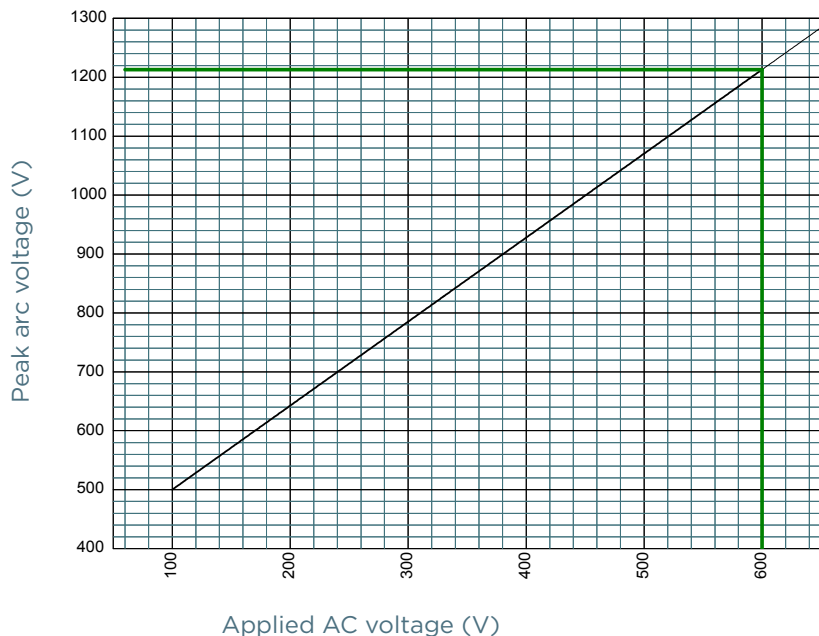
### Size 30 690V



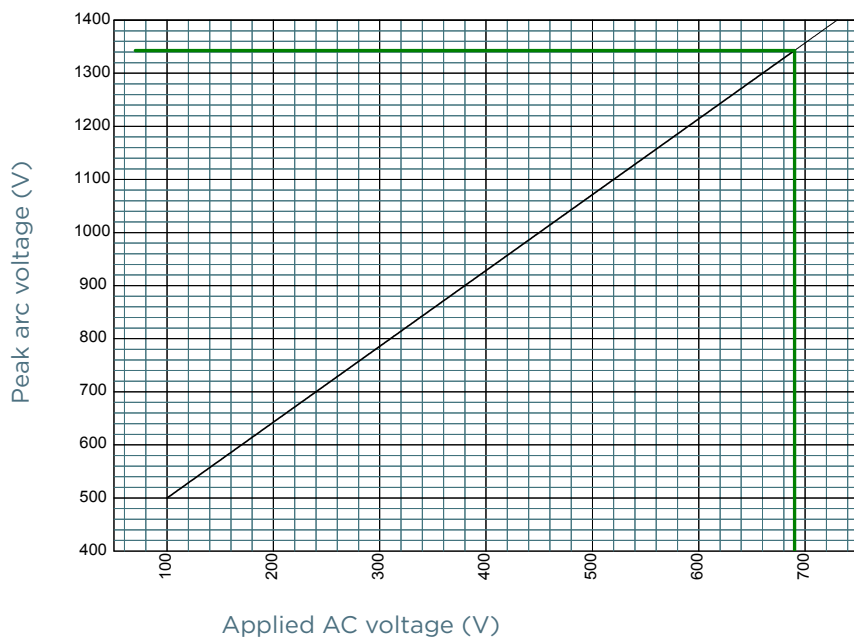
MERSEN reserves the right to change, update or correct, without notice, any information contained in this datasheet.

## PEAK ARC VOLTAGE

### Size 30 600V



### Size 30 690V

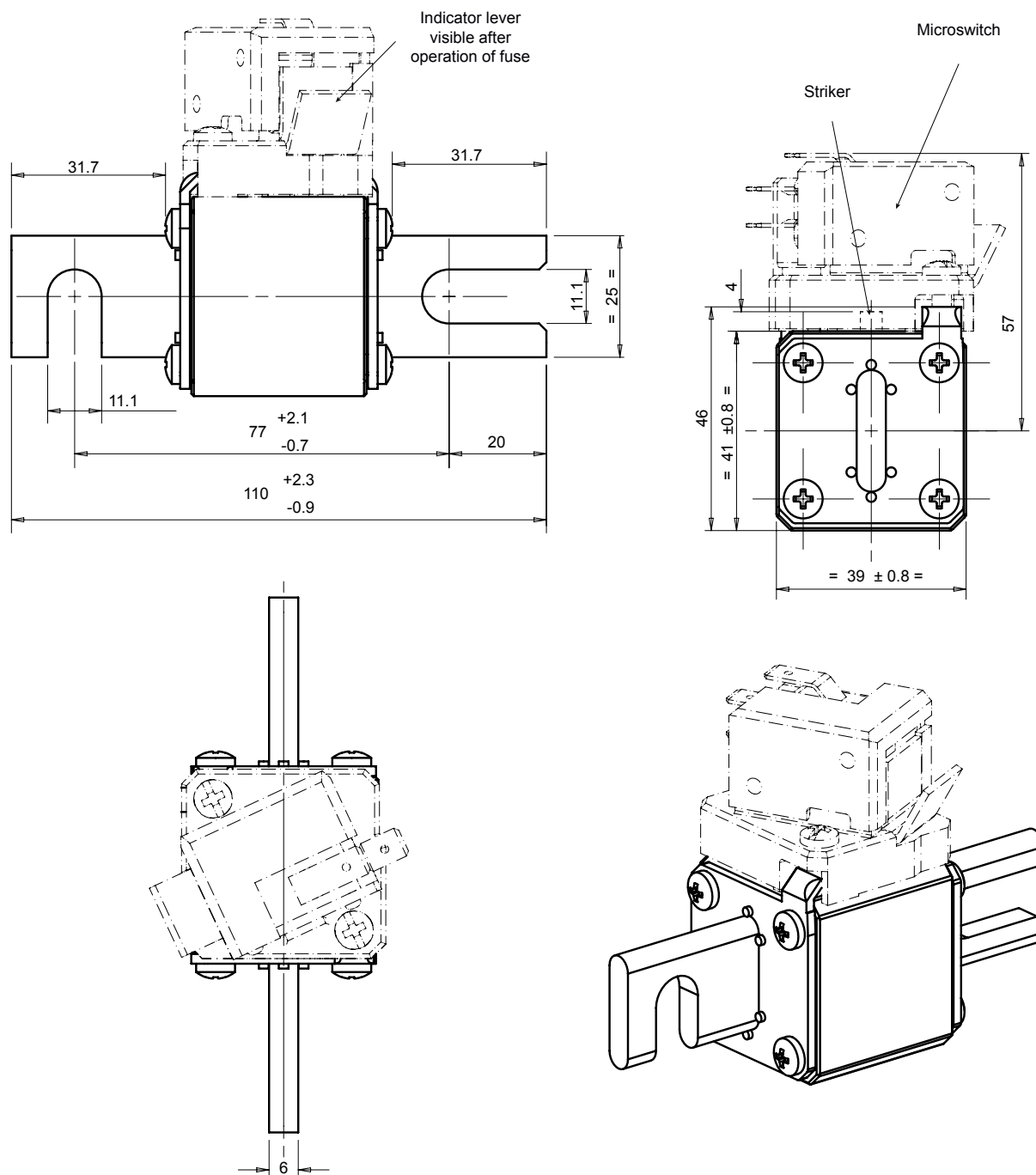


# Protistor® size 30 aR

600 - 690VAC (IEC) / 700VAC (UL)

## DIMENSIONS

Size 30 type DIN 80 (102936)



Dimensions in mm

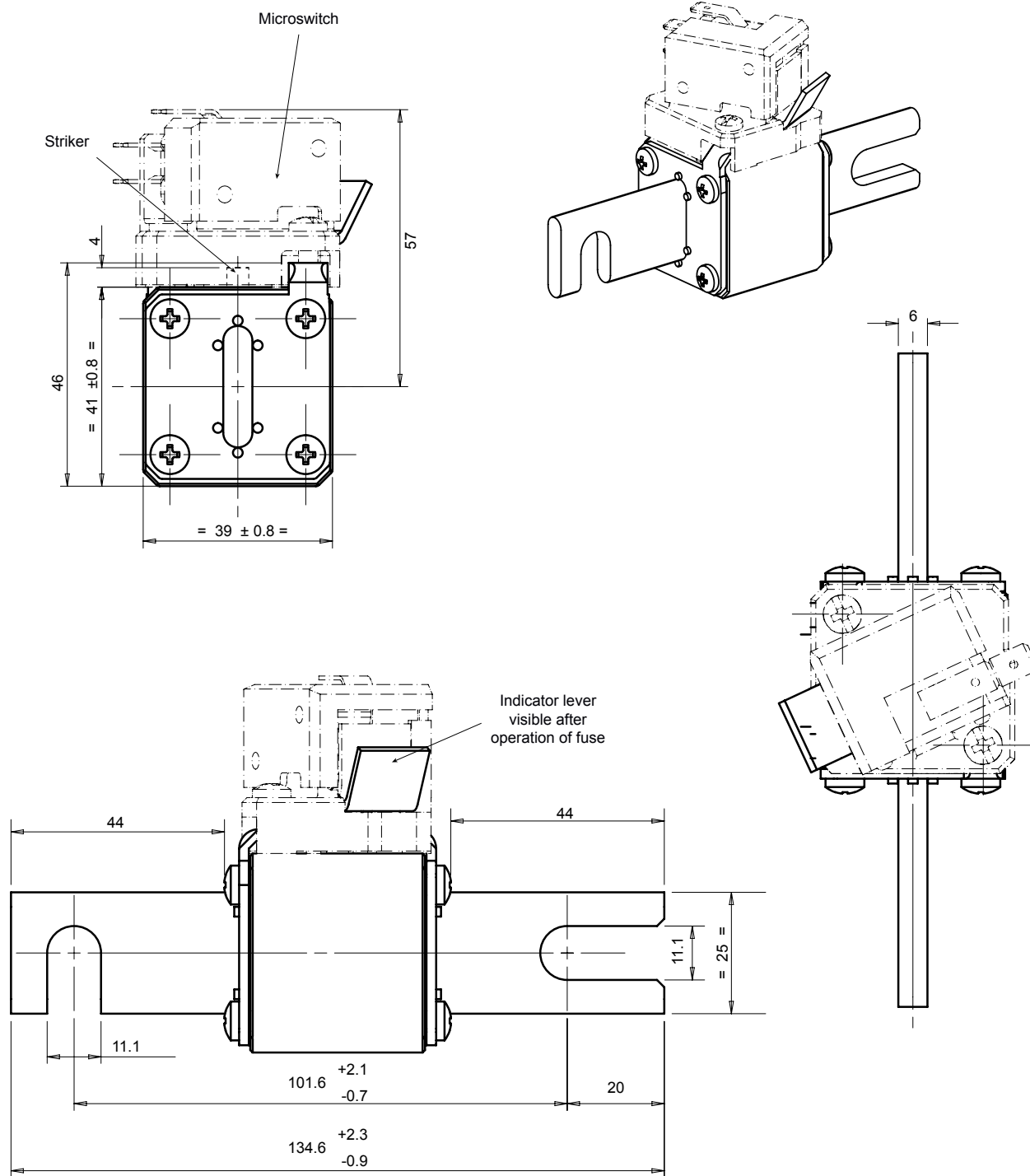
MERSEN reserves the right to change, update or correct, without notice, any information contained in this datasheet.

# Protistor® size 30 aR

600 - 690VAC (IEC) / 700VAC (UL)

## DIMENSIONS

Size 30 type DIN 110 (102937)



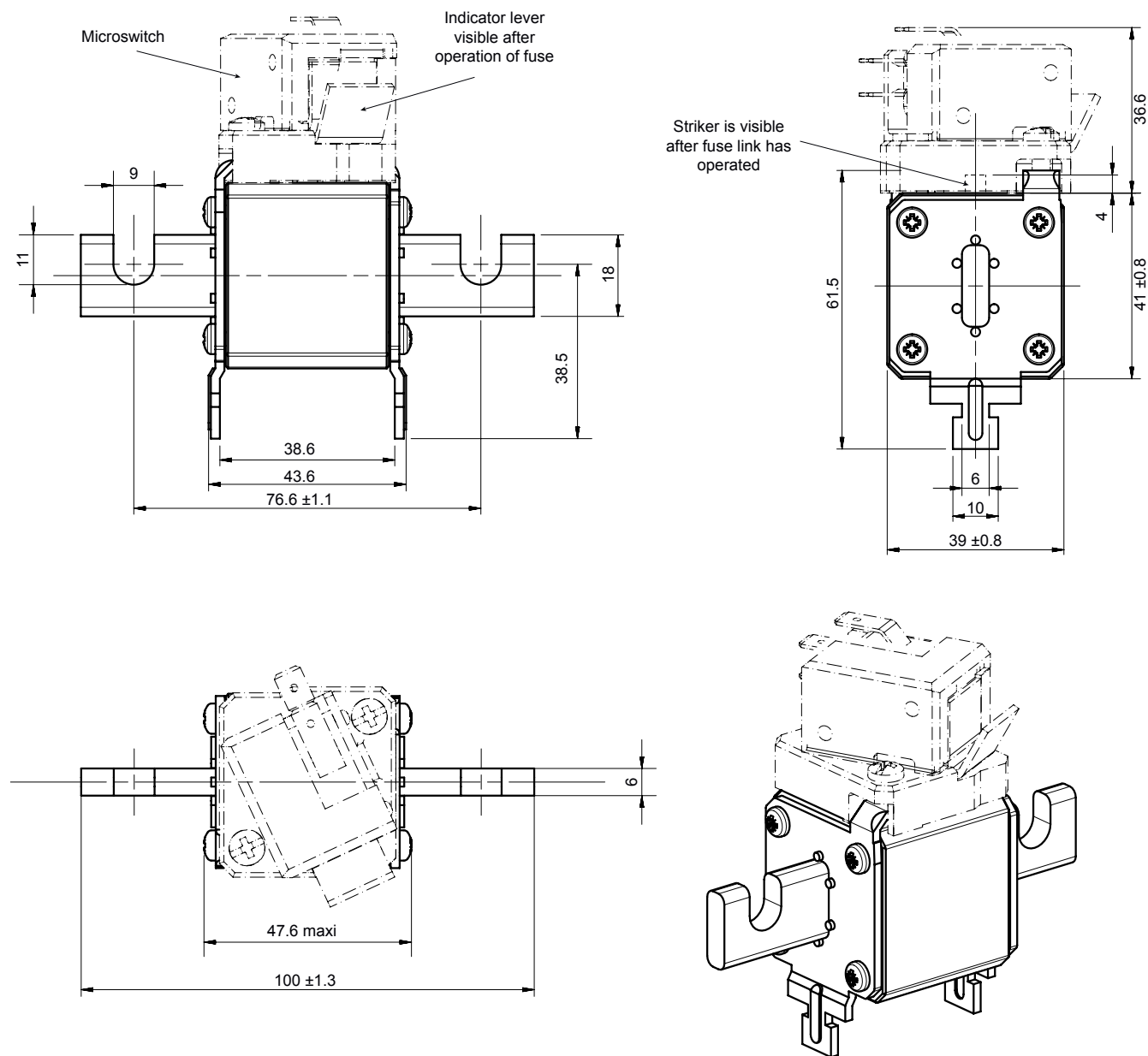
Dimensions in mm

# Protistor® size 30 aR

600 - 690VAC (IEC) / 700VAC (UL)

## DIMENSIONS

Size 30 type EF (102935)



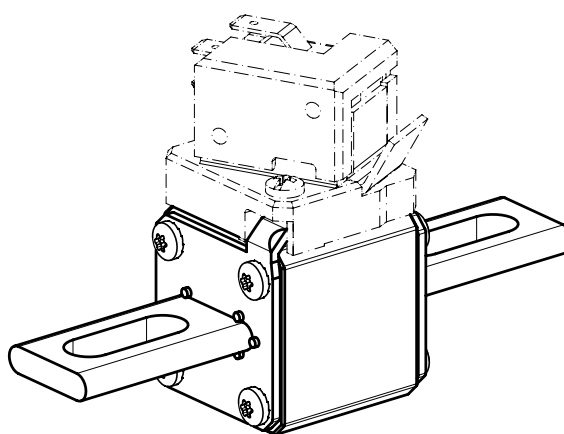
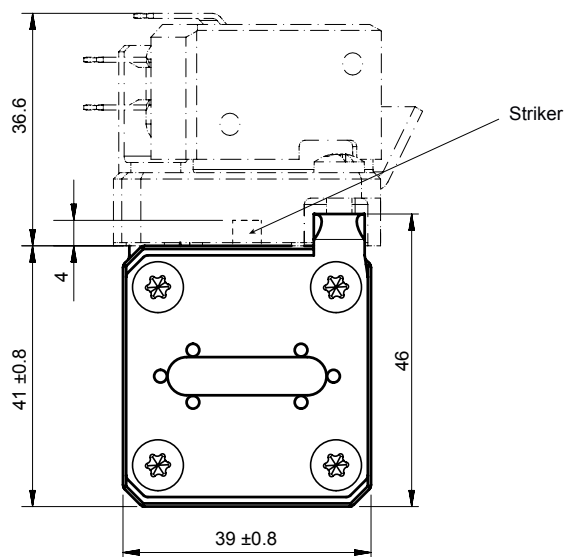
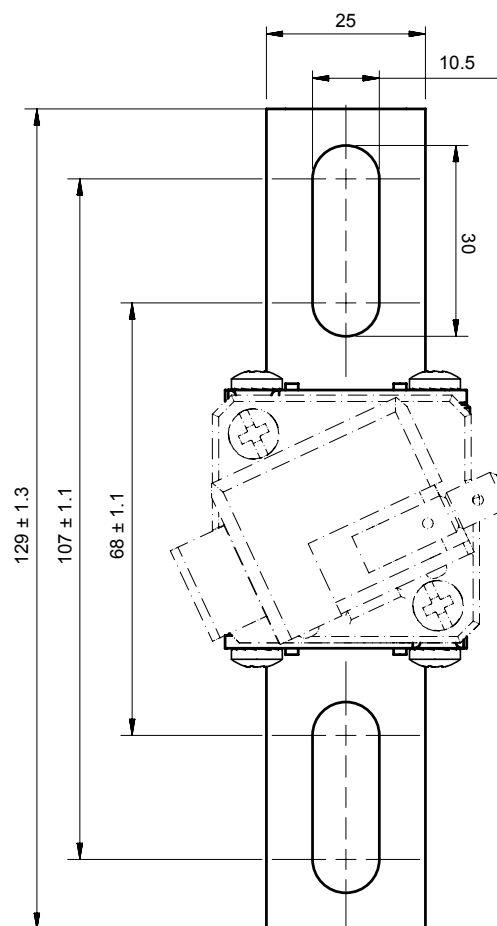
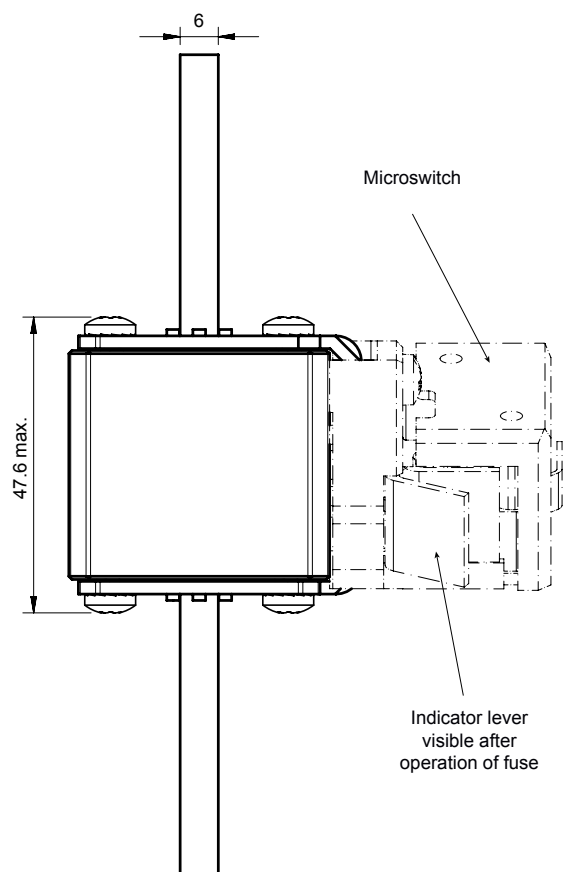
Dimensions in mm

# Protistor® size 30 aR

600 - 690VAC (IEC) / 700VAC (UL)

## DIMENSIONS

Size 30 type KI (102934)



Dimensions in mm

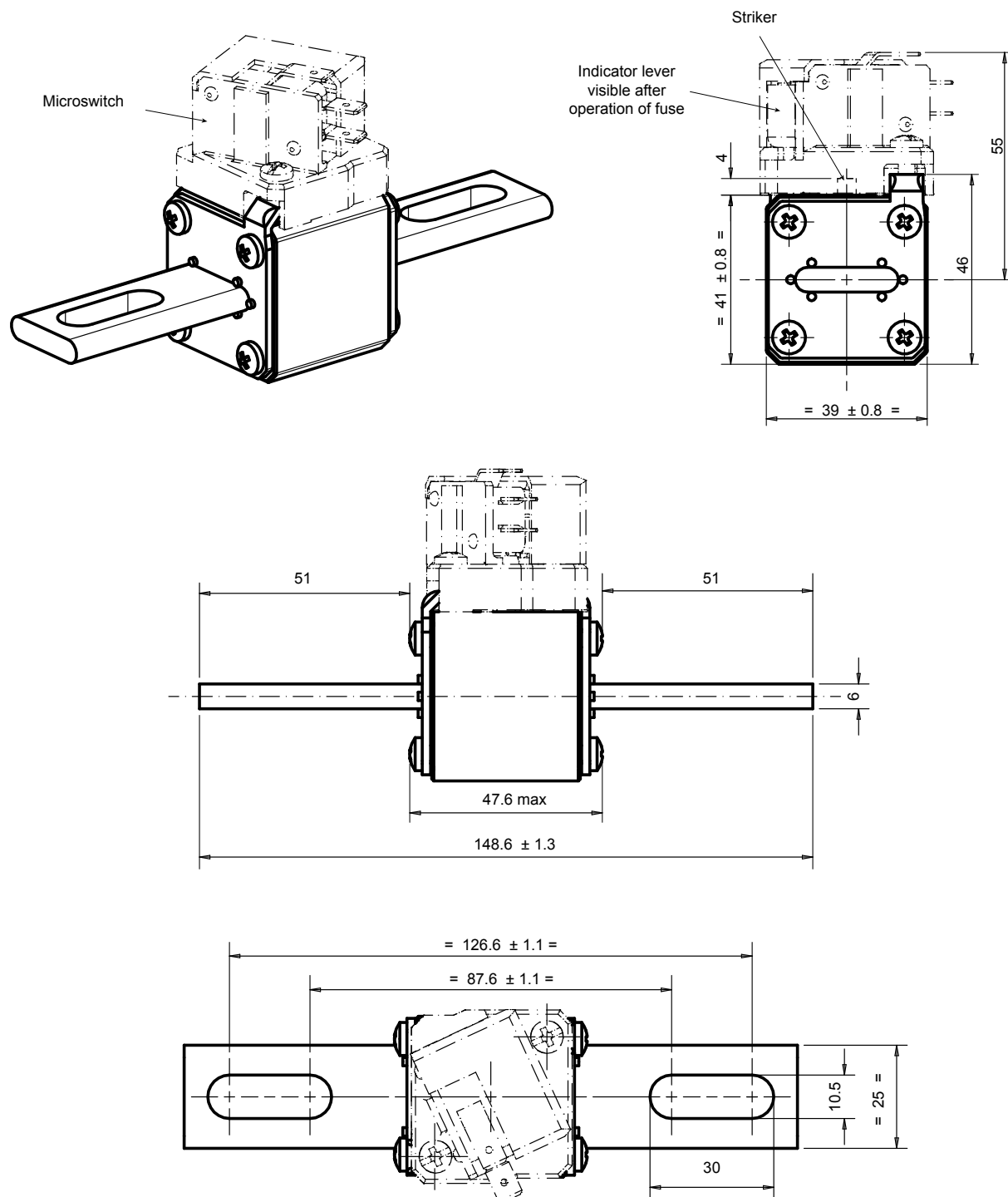
MERSEN reserves the right to change, update or correct, without notice, any information contained in this datasheet.

# Protistor® size 30 aR

600 - 690VAC (IEC) / 700VAC (UL)

## DIMENSIONS

Size 30 type LI (102933)



Dimensions in mm

MERSEN reserves the right to change, update or correct, without notice, any information contained in this datasheet.

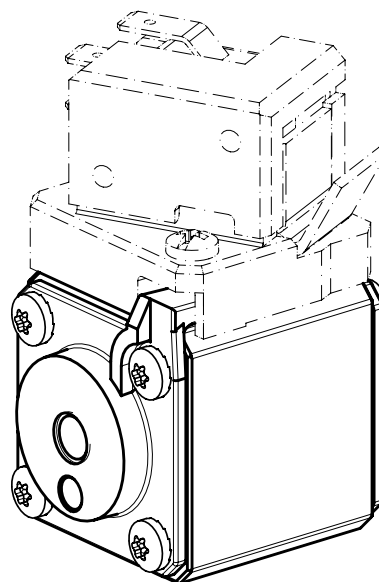
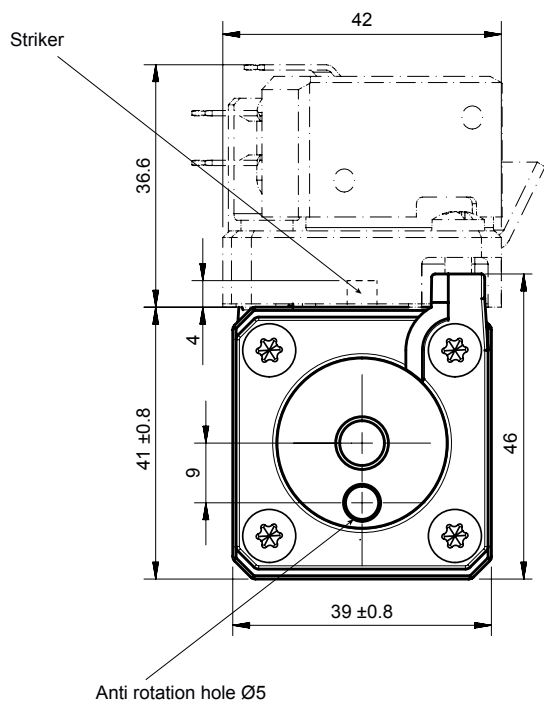
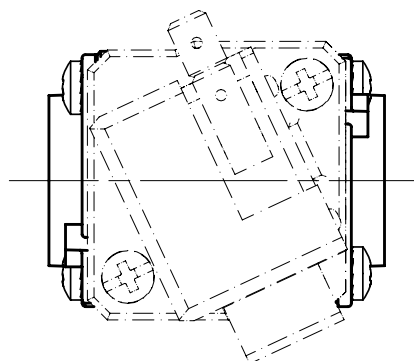
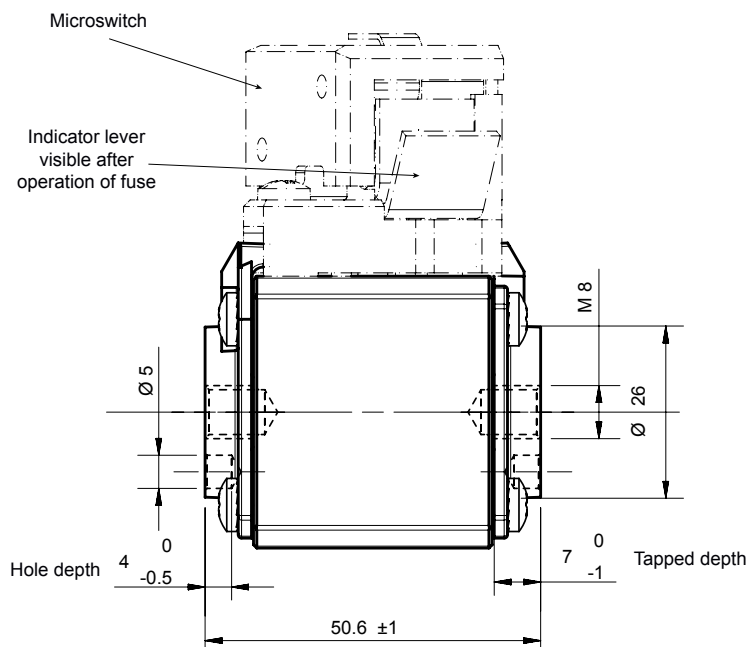


# Protistor® size 30 aR

600 - 690VAC (IEC) / 700VAC (UL)

## DIMENSIONS

### Size 30 type TTF (102920)



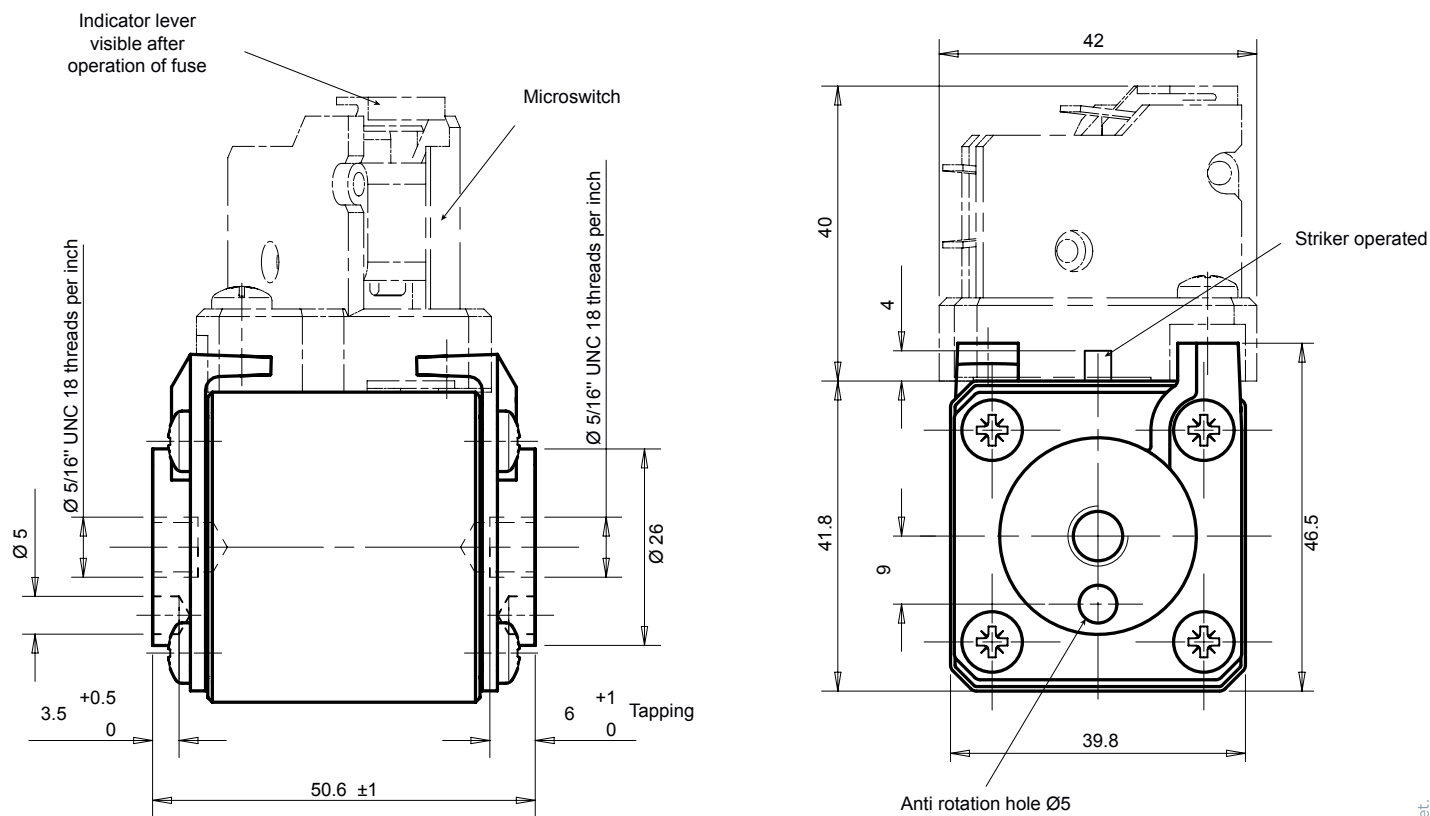
Dimensions in mm

# Protistor® size 30 aR

600 - 690VAC (IEC) / 700VAC (UL)

## DIMENSIONS

### Size 30 type TTI (107300)



Dimensions in mm

# Protistor® size 30 aR

600 - 690VAC (IEC) / 700VAC (UL)

## APPENDIX

### Index

Catalog number	Item number	Description 1	Page
PC30UD69V50TF	S300373	6,9URD30TTF0050	2
PC30UD69V63TF	M300000	69URD30TTF0063	2
PC30UD69V80TF	S300051	69URD30TTF0080	2
PC30UD69V100TF	T300052	69URD30TTF0100	2
PC30UD69V125TF	V300053	69URD30TTF0125	2
PC30UD69V160TF	W300054	69URD30TTF0160	2
PC30UD69V200TF	X300055	69URD30TTF0200	2
PC30UD69V250TF	Y300056	69URD30TTF0250	2
PC30UD69V315TF	Z300057	69URD30TTF0315	2
PC30UD69V350TF	A300058	69URD30TTF0350	2
PC30UD69V400TF	B300059	69URD30TTF0400	2
PC30UD69V450TF	V300398	69URD30TTF0450	2
PC30UD69V500TF	W300399	69URD30TTF0500	2
PC30UD69V550TF	X300400	69URD30TTF0550	2
PC30UD60V630TF	L301770	6 URD 30 TT F 0630	2
A070UD30TTI50	V302744	A 070 URD 30 TTI 0050	2
A070UD30TTI63	A301967	A 070 URD 30 TTI 0063	2
A070UD30TTI80	V301962	A 070 URD 30 TTI 0080	2
A070UD30TTI100	W300744	A 070 URD 30 TTI 0100	2
A070UD30TTI125	G300708	A 070 URD 30 TTI 0125	2
A070UD30TTI160	N300576	A 070 URD 30 TTI 0160	2
A070UD30TTI200	P300577	A 070 URD 30 TTI 0200	2
A070UD30TTI250	Q300578	A 070 URD 30 TTI 0250	2
A070UD30TTI315	R300579	A 070 URD 30 TTI 0315	2
A070UD30TTI350	S300580	A 070 URD 30 TTI 0350	2
A070UD30TTI400	T300581	A 070 URD 30 TTI 0400	2
A070UD30TTI450	V300582	A 070 URD 30 TTI 0450	2
A070UD30TTI500	W300583	A 070 URD 30 TTI 0500	2
A070UD30TTI550	X300584	A 070 URD 30 TTI 0550	2
A065UD30TTI630	A302703	A 065 URD 30 TTI 0630	2
PC30UD69V50A	F301926	6,9 URD 30 D08 A 0050	3
PC30UD69V63A	E300108	69URD30D08A0063	3
PC30UD69V80A	F300109	69URD30D08A0080	3
PC30UD69V100A	G300110	69URD30D08A0100	3
PC30UD69V125A	H300111	69URD30D08A0125	3
PC30UD69V160A	J300112	69URD30D08A0160	3
PC30UD69V200A	K300113	69URD30D08A0200	3
PC30UD69V250A	L300114	69URD30D08A0250	3
PC30UD69V315A	M300115	69URD30D08A0315	3
PC30UD69V350A	N300116	69URD30D08A0350	3
PC30UD69V400A	P300117	69URD30D08A0400	3
PC30UD69V450A	A300403	69URD30D08A0450	3
PC30UD69V500A	B300404	69URD30D08A0500	3
PC30UD69V550A	C300405	69URD30D08A0550	3
PC30UD69V50D1A	G301191	6,9URD30D11A0050	3
PC30UD69V63D1A	Q300118	69URD30D11A0063	3
PC30UD69V80D1A	R300119	69URD30D11A0080	3
PC30UD69V100D1A	S300120	69URD30D11A0100	3
PC30UD69V125D1A	T300121	69URD30D11A0125	3
PC30UD69V160D1A	V300122	69URD30D11A0160	3
PC30UD69V200D1A	W300123	69URD30D11A0200	3
PC30UD69V250D1A	X300124	69URD30D11A0250	3
PC30UD69V315D1A	Y300125	69URD30D11A0315	3
PC30UD69V350D1A	Z300126	69URD30D11A0350	3
PC30UD69V400D1A	A300127	69URD30D11A0400	3

MERSEN reserves the right to change, update or correct, without notice, any information contained in this datasheet.

# Protistor® size 30 aR

600 - 690VAC (IEC) / 700VAC (UL)

## APPENDIX

### Index

Catalog number	Item number	Description 1	Page
PC30UD69V450D1A	S300695	6,9 URD 30 D11 A 0450	3
PC30UD69V500D1A	Y301091	69URD30D11A0500	3
PC30UD69V550D1A	Z301092	69URD30D11A0550	3
A070UD30KI50	E301925	A 070 URD 30 KI 0050	4
A070UD30KI63	B300128	A 070 URD 30 KI 0063	4
A070UD30KI80	C300129	A 070 URD 30 KI 0080	4
A070UD30KI100	D300130	A 070 URD 30 KI 0100	4
A070UD30KI125	E300131	A070URD30KI0125	4
A070UD30KI160	F300132	A070URD30KI0160	4
A070UD30KI200	G300133	A070URD30KI0200	4
A070UD30KI250	H300134	A070URD30KI0250	4
A070UD30KI315	J300135	A 070 URD 30 KI 0315	4
A070UD30KI350	K300136	A070URD30KI0350	4
A070UD30KI400	L300137	A 070 URD 30 KI 0400	4
A070UD30KI450	T301064	A 070 URD 30 KI 0450	4
A070UD30KI500	V301065	A070URD30KI0500	4
A070UD30KI550	W301066	A 070 URD 30 KI 0550	4
A070UD30LI50	A301921	A 070 URD 30 LI 0050	4
A070UD30LI63	M300138	A 070 URD 30 LI 0063	4
A070UD30LI80	N300139	A 070 URD 30 LI 0080	4
A070UD30LI100	P300140	A 070 URD 30 LI 0100	4
A070UD30LI125	Q300141	A 070 URD 30 LI 0125	4
A070UD30LI160	R300142	A 070 URD 30 LI 0160	4
A070UD30LI200	S300143	A 070 URD 30 LI 0200	4
A070UD30LI250	T300144	A070URD30LI0250	4
A070UD30LI315	V300145	A 070 URD 30 LI 0315	4
A070UD30LI350	W300146	A 070 URD 30 LI 0350	4
A070UD30LI400	X300147	A 070 URD 30 LI 0400	4
A070UD30LI450	K300527	A 070 URD 30 LI 0450	4
A070UD30LI500	L300528	A070URD30LI0500	4
A070UD30LI550	M300529	A 070 URD 30 LI 0550	4
PC30UD69V50EF	R300372	6,9 URD 30 E F 0050	4
PC30UD69V63EF	H300088	69URD30EF0063	4
PC30UD69V80EF	J300089	6,9 URD 30 E F 0080	4
PC30UD69V100EF	K300090	6,9URD30EF0100	4
PC30UD69V125EF	L300091	69URD30EF0125	4
PC30UD69V160EF	M300092	69URD30EF0160	4
PC30UD69V200EF	N300093	69URD30EF0200	4
PC30UD69V250EF	P300094	69URD30EF0250	4
PC30UD69V315EF	Q300095	6,9 URD 30 E F 0315	4
PC30UD69V350EF	R300096	6,9 URD 30 E F 0350	4
PC30UD69V400EF	S300097	6,9 URD 30 E F 0400	4

MERSEN reserves the right to change, update or correct, without notice, any information contained in this datasheet.